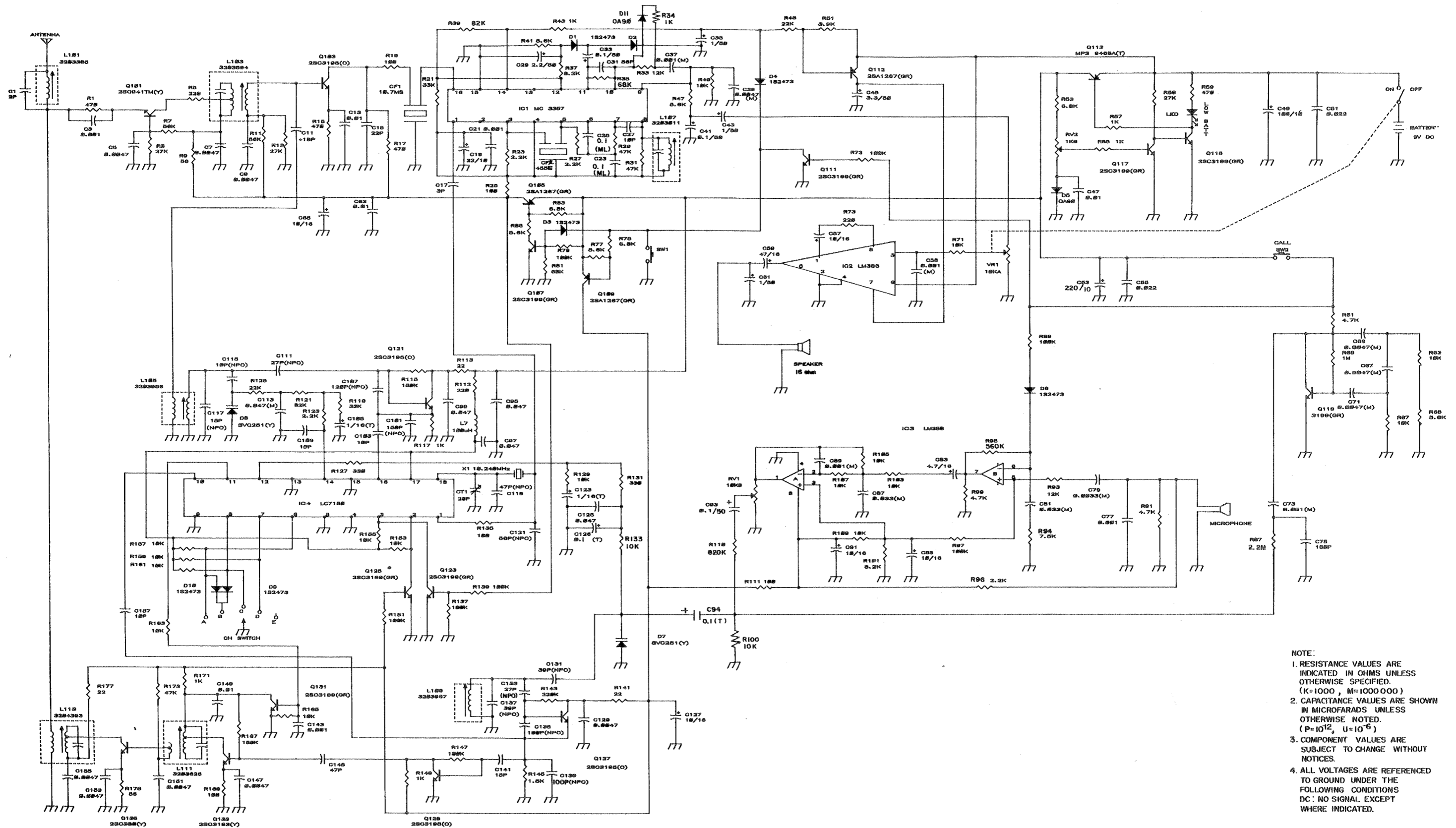


SCHEMATIC DIAGRAM

21-402



- NOTE:
1. RESISTANCE VALUES ARE INDICATED IN OHMS UNLESS OTHERWISE SPECIFIED. (K=1000, M=1000000)
 2. CAPACITANCE VALUES ARE SHOWN IN MICROFARADS UNLESS OTHERWISE NOTED. (P=10⁻¹², U=10⁻⁶)
 3. COMPONENT VALUES ARE SUBJECT TO CHANGE WITHOUT NOTICES.
 4. ALL VOLTAGES ARE REFERENCED TO GROUND UNDER THE FOLLOWING CONDITIONS
DC: NO SIGNAL EXCEPT WHERE INDICATED.